

Dimensional Drawings

Chassis for Primary Data Acquisition Devices and Optional Modules

Note: With exception of the 11" x 8.5" x 2.63" category, either one [of two] dimensional drawings could apply to your device, depending on the unit's assembly date. Legacy chassis have notable grooves on the left and right sides of the enclosure. The modern chassis have smooth surfaces. Refer to the associated drawing, *modern* or *legacy*, as applicable.

11" x 8.5" x 1.40" Category [page DD-2](#)

Two drawings provided: *Modern Chassis* and *Legacy Chassis*.

DaqBook/100, /120, /112, /200, /216; DBK1, DBK10, DBK23, DBK24, DBK30A, DBK43A, DBK50, DBK51, DBK52, DBK53, DBK54, DBK84, DBK203, DBK204, TempBook/66; WaveBook/512, WaveBook/512H; WBK10, WBK10H, WBK10A, WBK14, WBK15, WBK16, WBK17

11" x 8.5" x 1.72" Category [page DD-4](#)

Two drawings provided: *Modern Chassis* and *Legacy Chassis*.

DBK34A, DBK70; LogBook/300; WaveBook/512A, WaveBook/516, WaveBook/516A, DaqBook/2000A

11" x 8.5" x 2.63" Category [page DD-6](#)

One drawing provided.

DaqBook/2000E, DaqBook/2000X, WBK40, WBK41, WaveBook/516E

11" x 14" x 3.44" Category [page DD-7](#)

Two drawings provided: *Modern Chassis* and *Legacy Chassis*.

DaqBook/260, DBK60, LogBook/360

Dimensions for DBK Cards and Boards (excludes DBK46 and DBK200 Series) [page DD-9](#)

3.26" x 8.32" Category

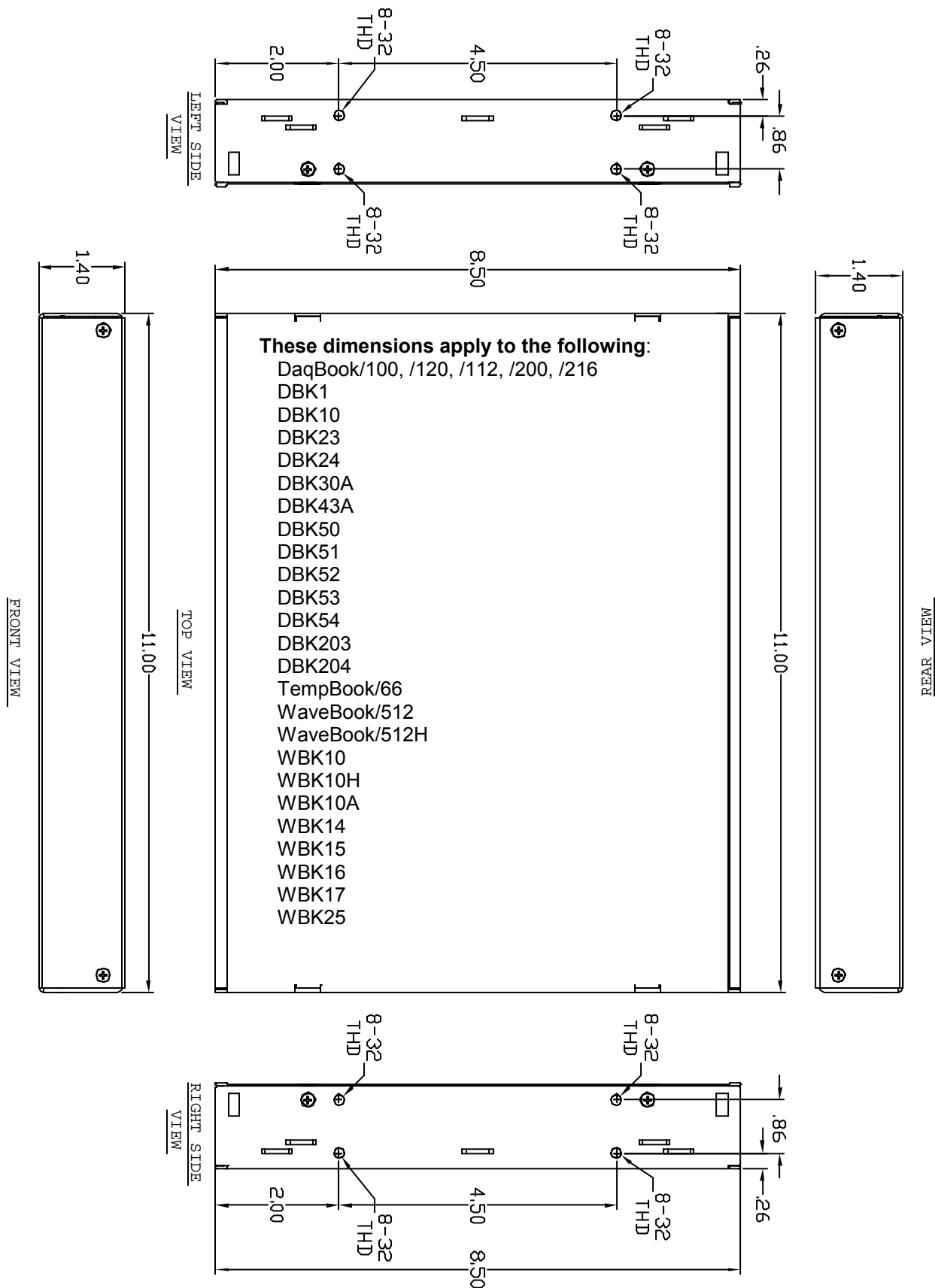
DBK2, DBK4, DBK5, DBK7, DBK8, DBK9, DBK11A, DBK12, DBK13, DBK15, DBK16, DBK17, DBK18, DBK19, DBK20, DBK21, DBK25, DBK32A, DBK33, DBK44, DBK45, DBK81, DBK82, DBK83

Dimensions for DBK200 Series Devices [page DD-10](#)

DBK200
DBK201
DBK202
DBK203 Module (See 11" x 8.5" x 1.40" Category)
DBK204 Module (See 11" x 8.5" x 1.40" Category)
DBK205
DBK206
DBK207
DBK207/CJC
DBK208
DBK209

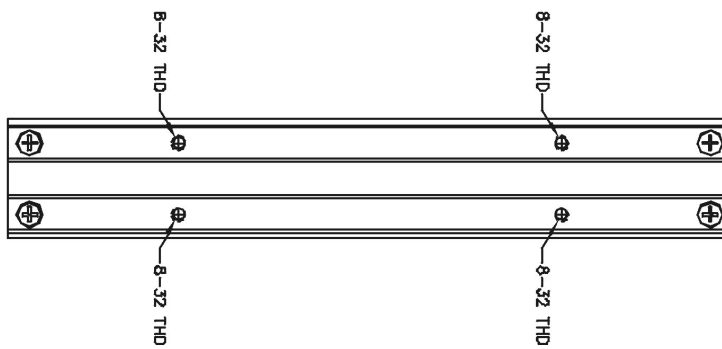
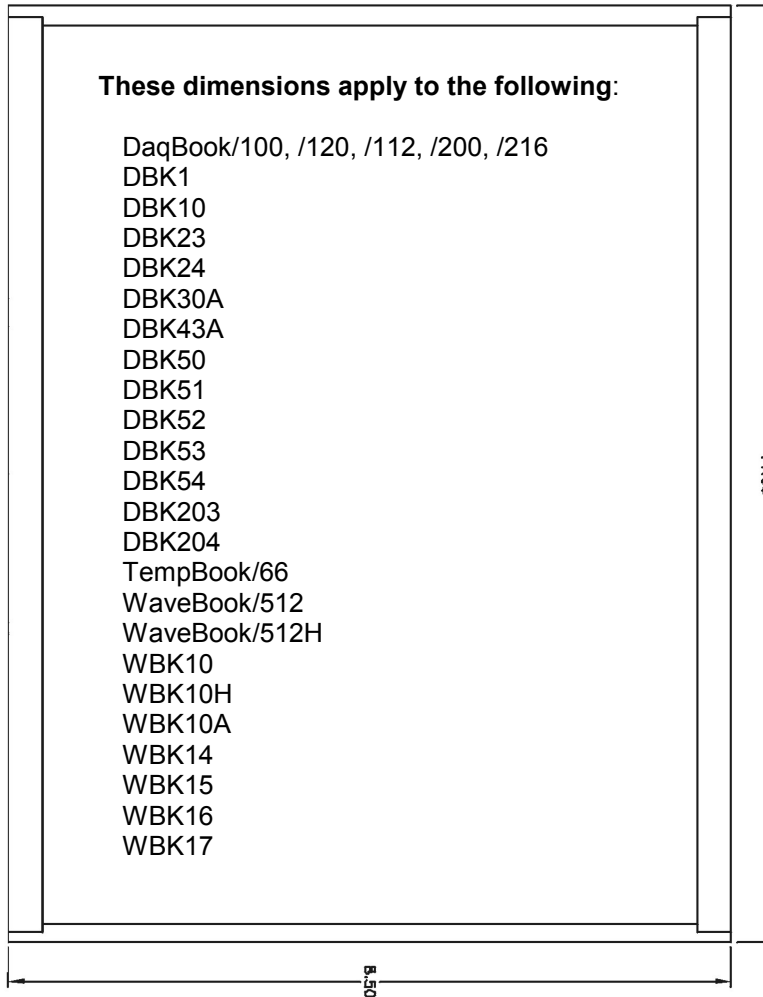
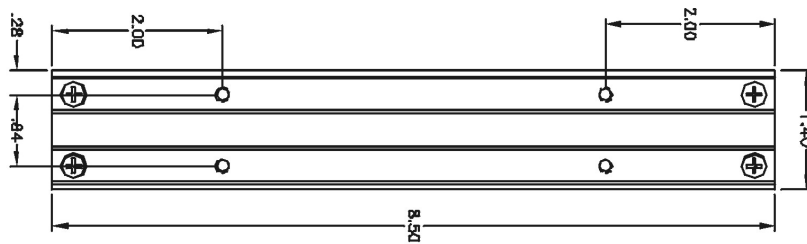
Chassis for Primary Devices and Modules

11" x 8.5" x 1.40" Category, *Modern Chassis*



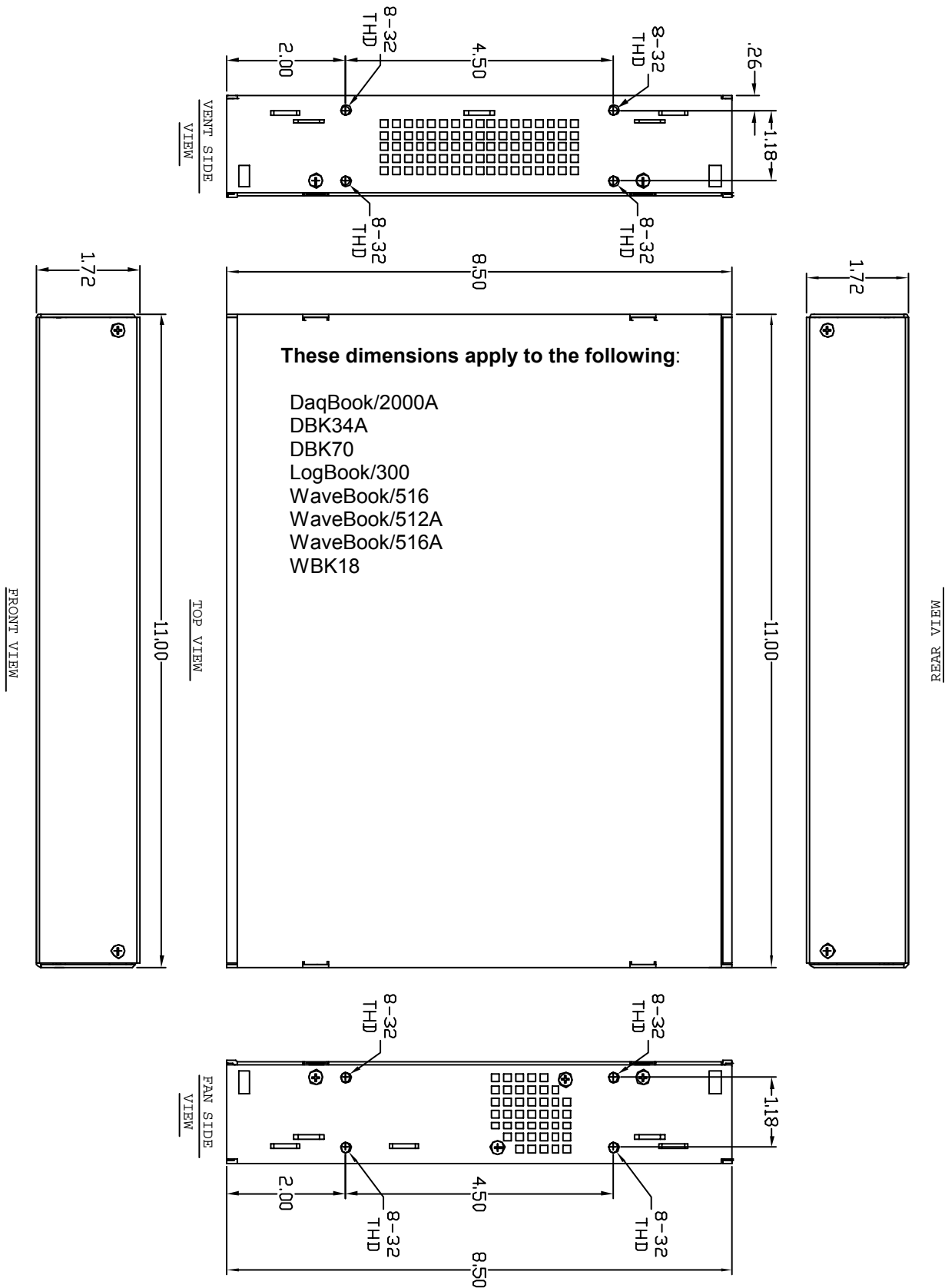
Chassis for Primary Devices and Modules

11" x 8.5" x 1.40" Category, *Legacy Chassis*



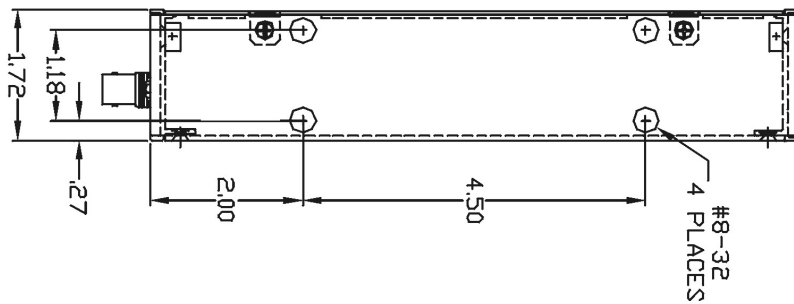
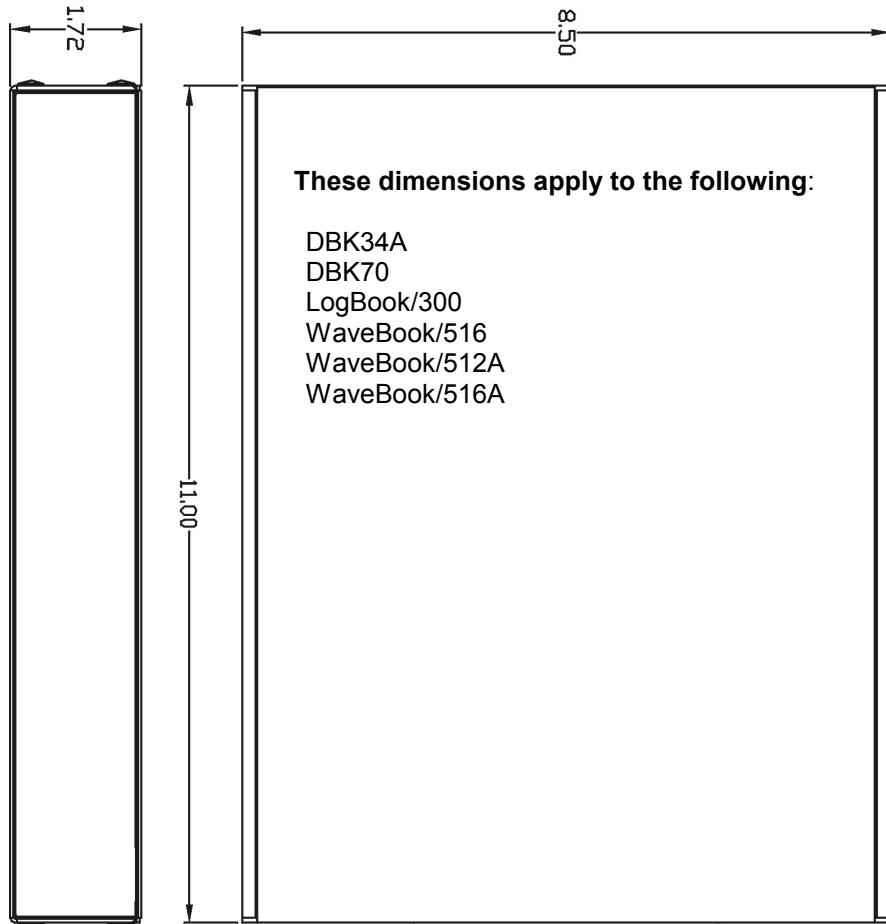
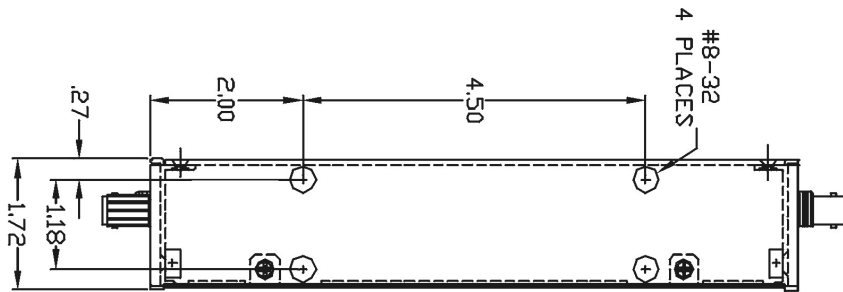
Chassis for Primary Devices and Modules

11" x 8.5" x 1.72" Category, *Modern Chassis*



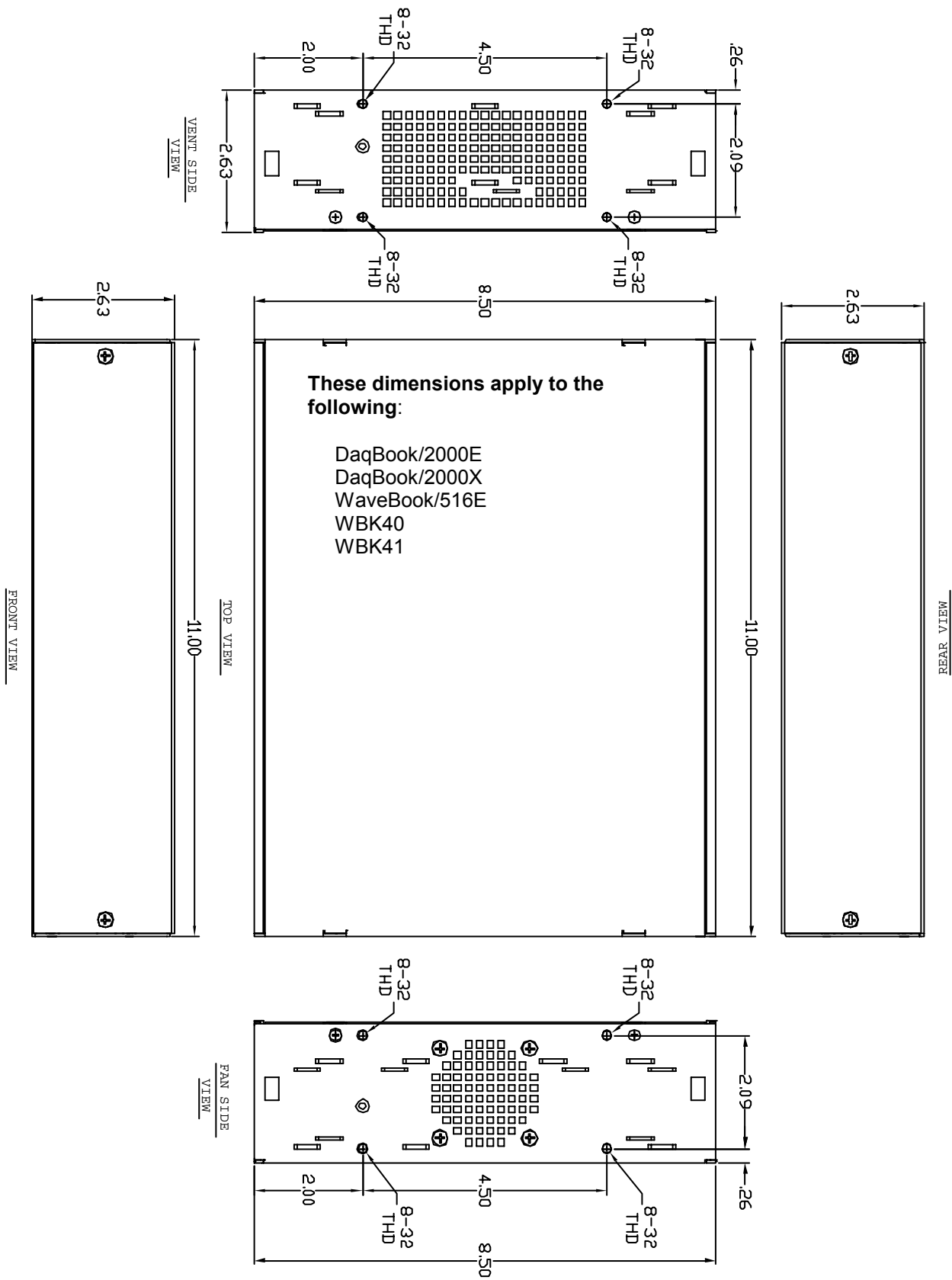
Chassis for Primary Devices and Modules

11" x 8.5" x 1.72" Category, *Legacy Chassis*



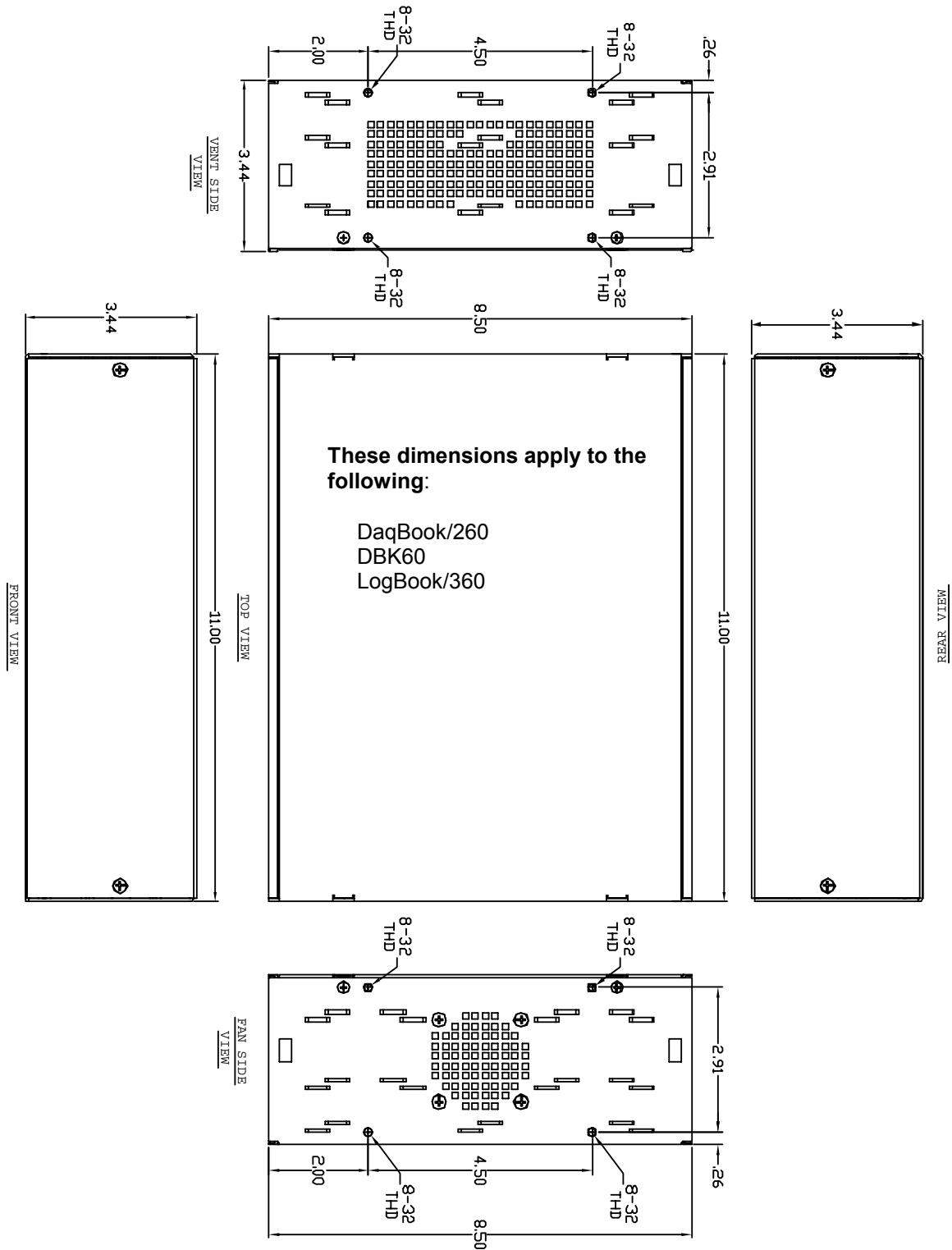
Chassis for Primary Devices and Modules

11" x 8.5" x 2.63" Category, *Modern Chassis*

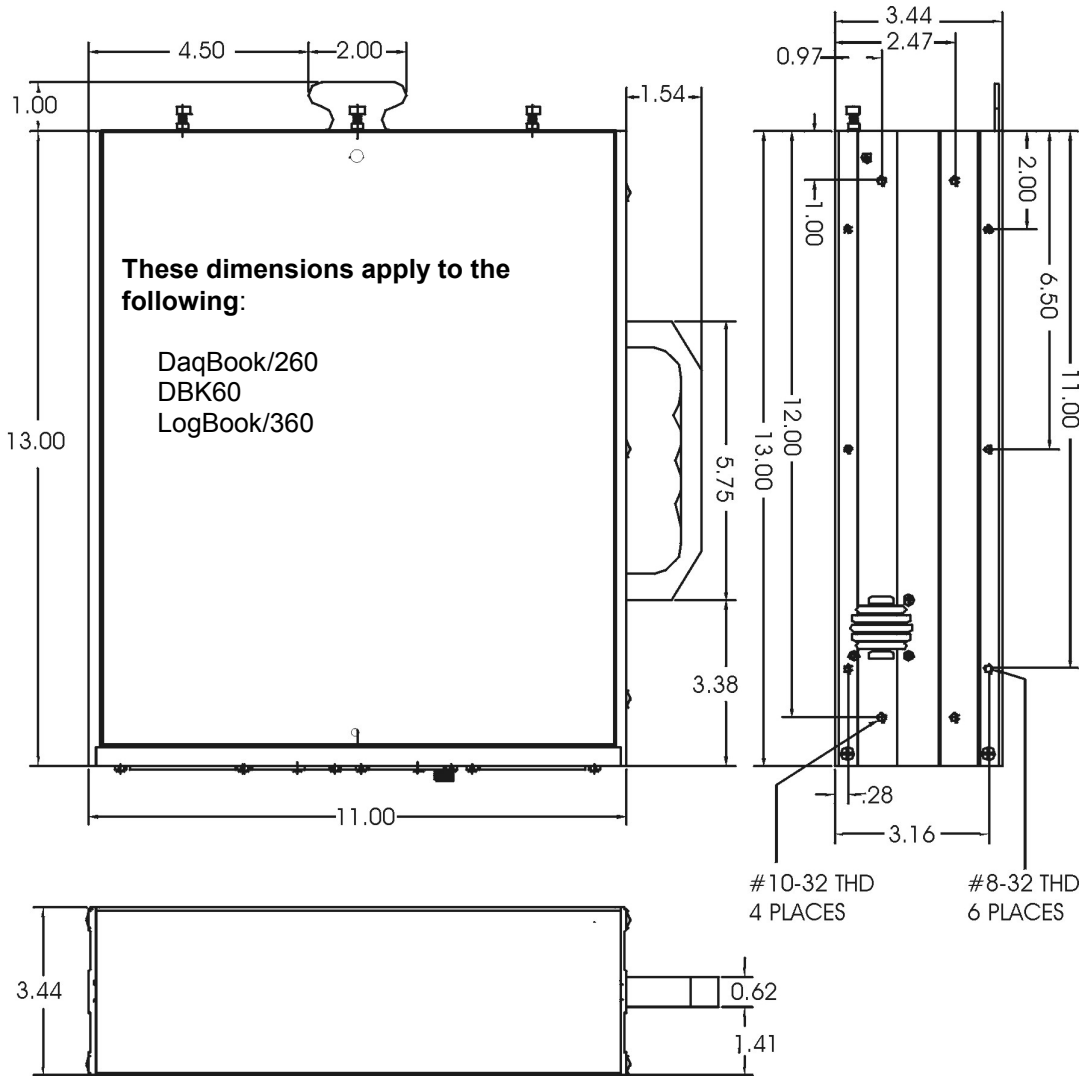


Chassis for Primary Devices and Modules

11" x 14" x 3.44" Category, *Modern Chassis*

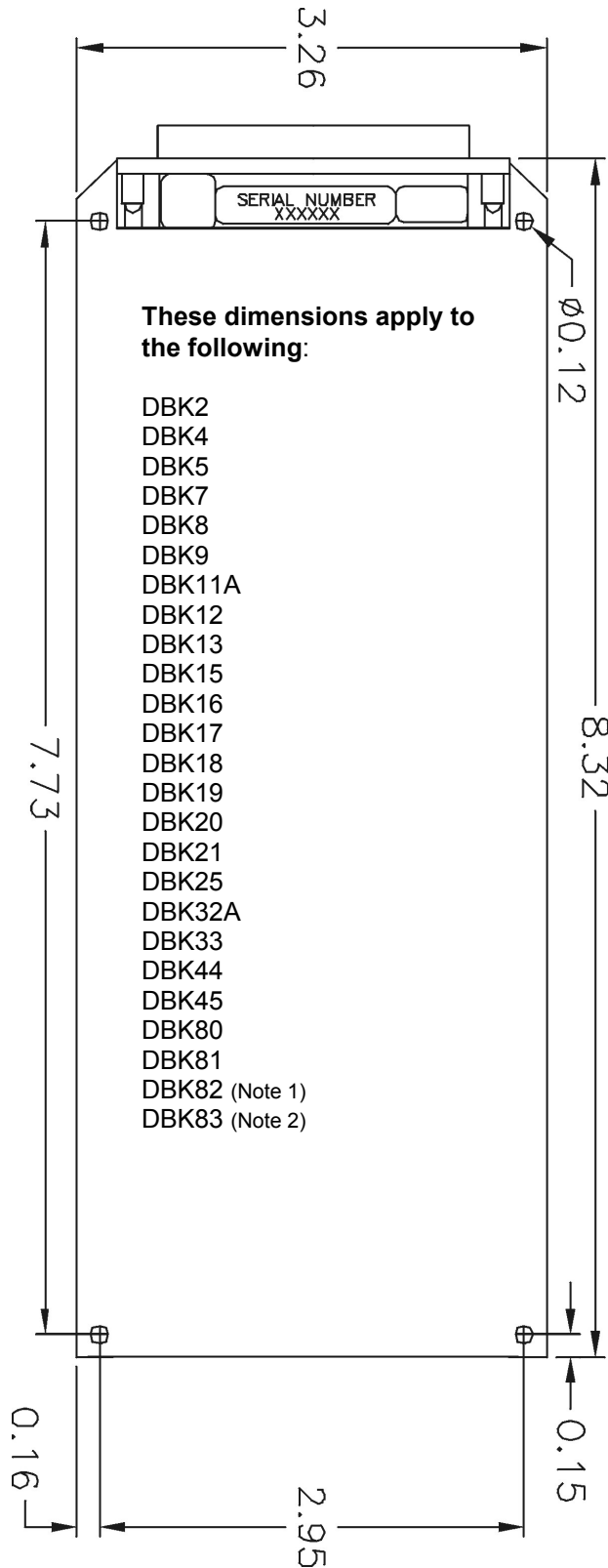


Chassis for Primary Devices and Modules
11" x 14" x 3.44" Category, *Legacy Chassis*



Dimensions for DBK Cards and Boards (excludes DBK46 and DBK200 Series)

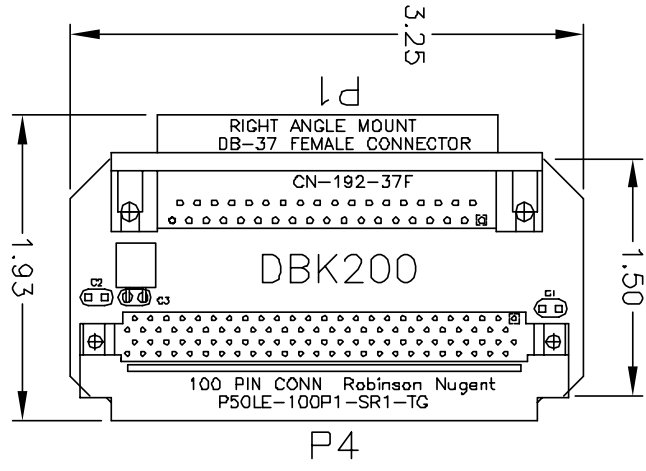
3.26" x 8.32" Board Size Category



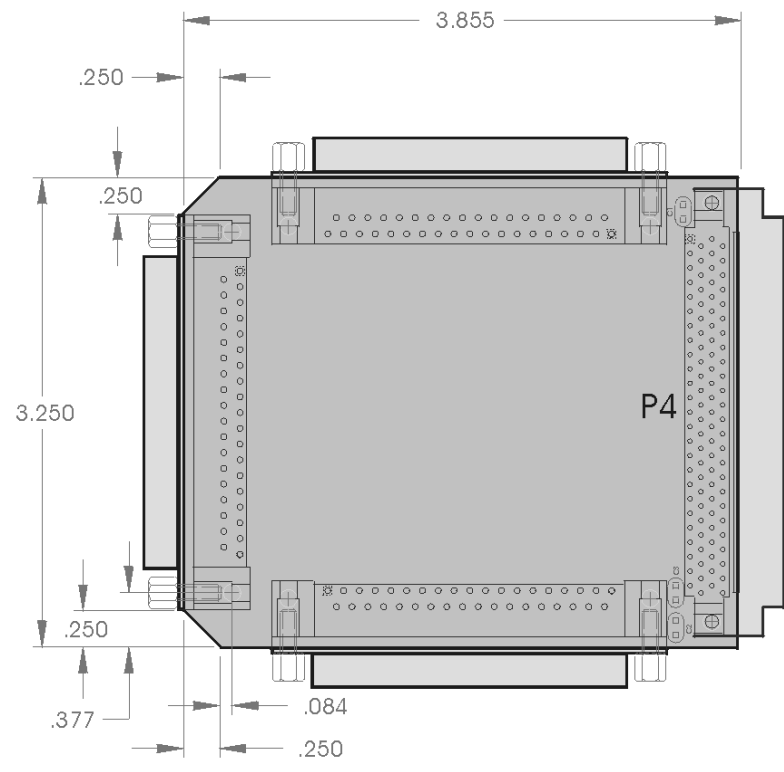
Note 1: DBK82, being significantly thicker than other boards, does not fit into 1-slot enclosures such as the DBK10 and the DaqBook/216. DBK82 does fit into DBK41 enclosures and in drawer type products such as DaqBoard/260.

Note 2: DBK83 makes use of an external screw-terminal connector, which is designated as POD-1.

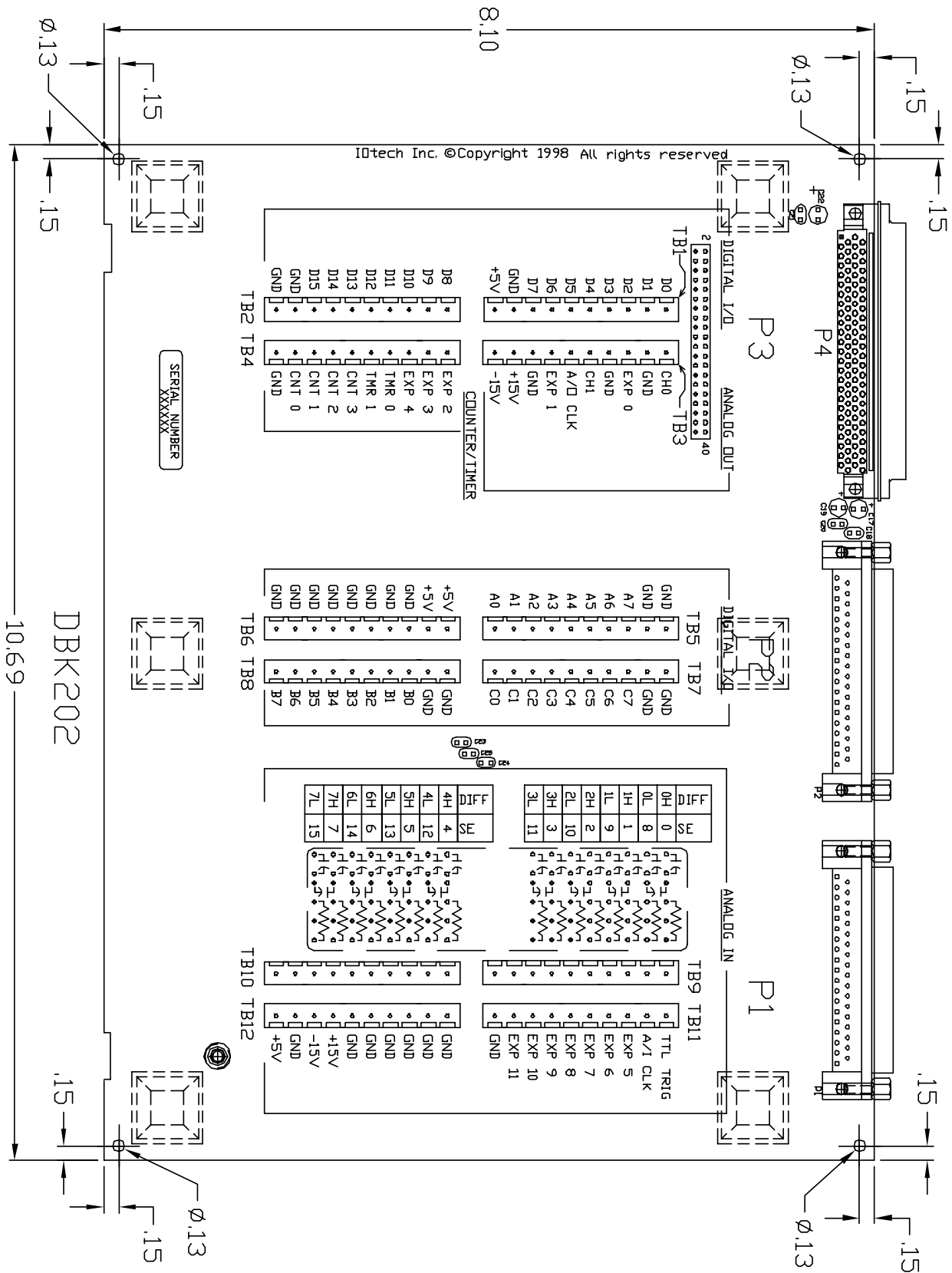
DBK200 Series Boards



DBK200

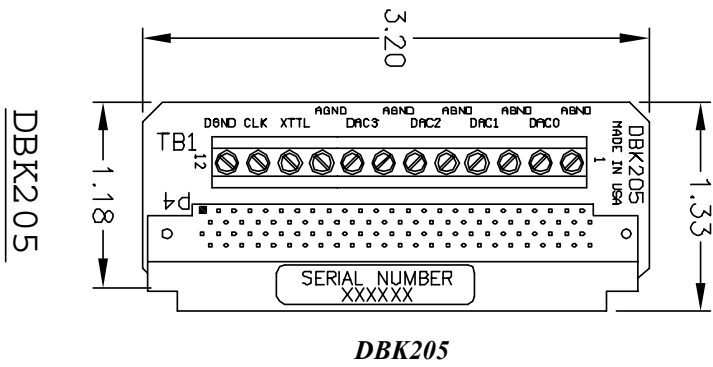


DBK201



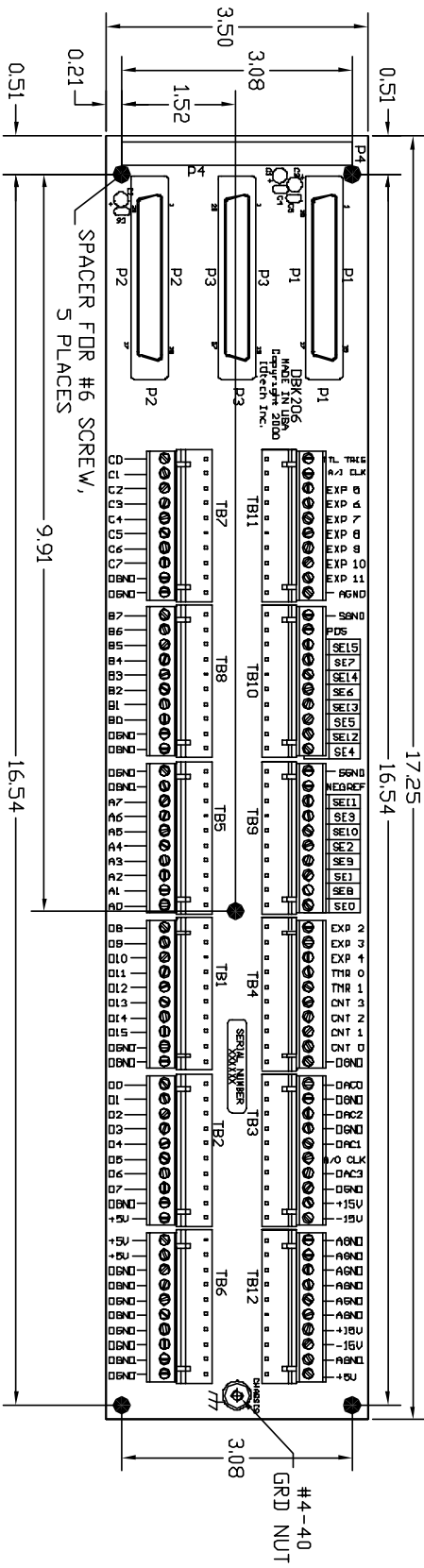
DBK202

Note: DBK203 and DBK204 are modules that house a DBK202 board. Refer to the 11" x 8.5" x 1.40" category for applicable dimensions.

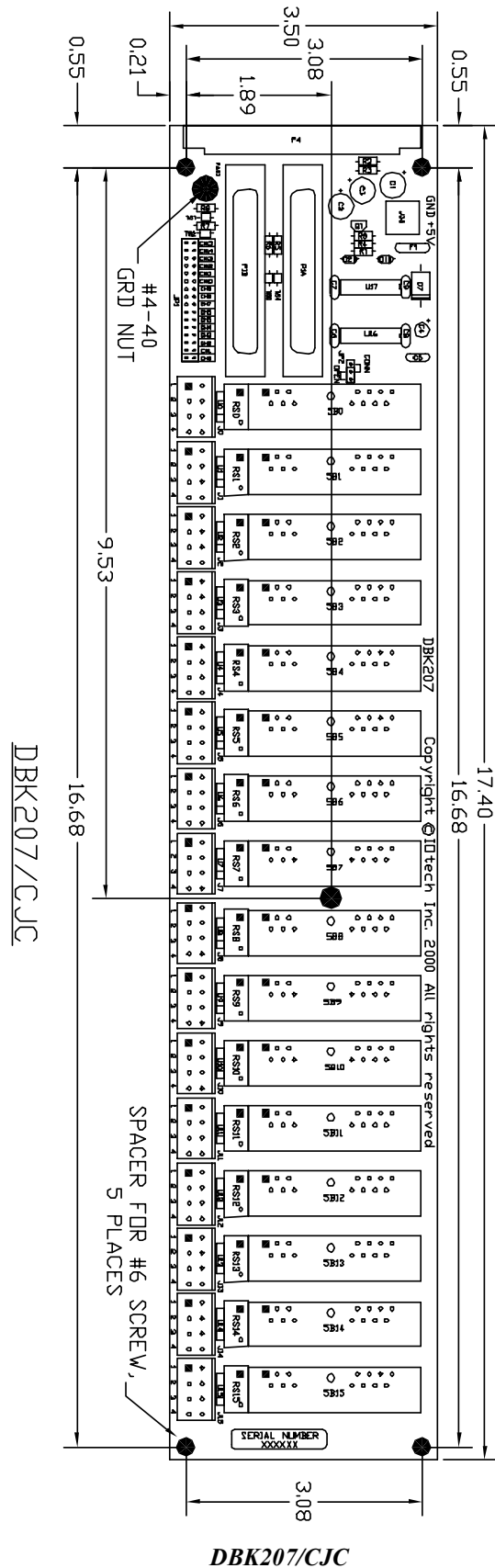


DBK205

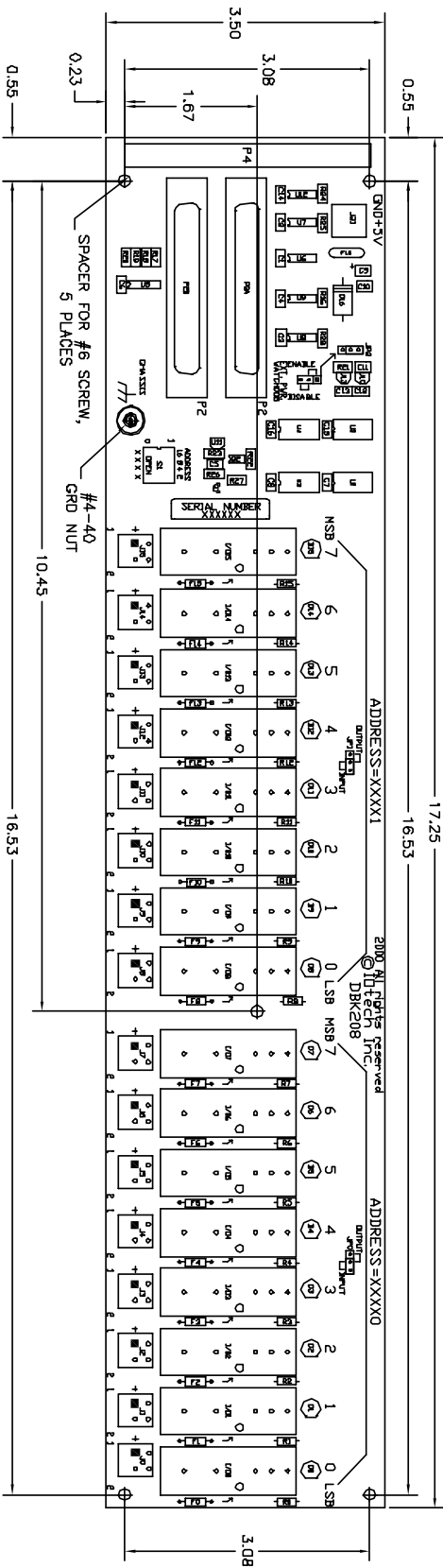
DBK205



DBK206

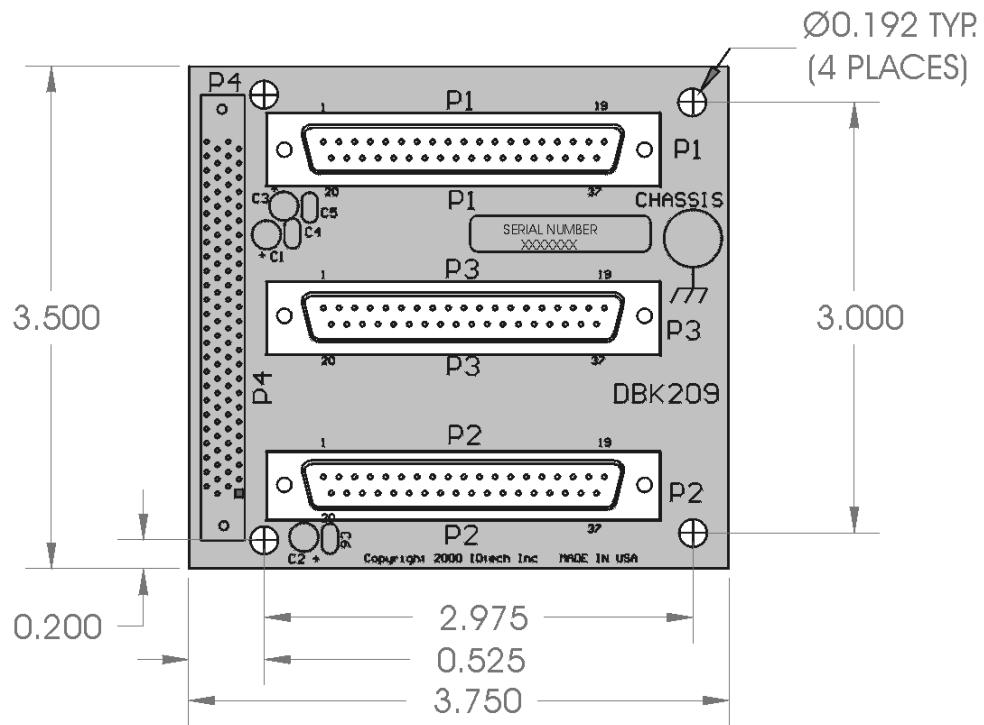


These dimensions apply to the both the DBK207 and the DBK207/CJC.



DBK208

DBK208



DBK209